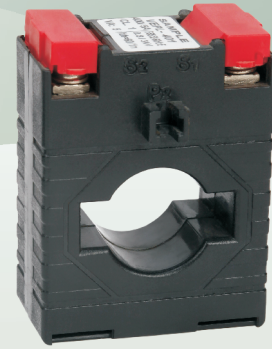




Features:

- ▶ ABS plastic moulding
- ▶ Apertures accepting a wide range of bus bar
- ▶ CTs are ultrasonically welded and unbreakable



Advantages:

- ▶ Easy bus bar mounting
- ▶ Highly cost effective
- ▶ Compact in size

Applications:

- ▶ Switchgear
- ▶ Distribution system
- ▶ Generator sets
- ▶ Control Panels
- ▶ Control Devices
- ▶ Overload protection

Input Specifications

Rated Primary Current	150A to 800A
Rated Secondary Output	5A/1A (Consult factory)

Technical Specifications

Rated Burden	2.5 VA , 5 VA and 7.5 VA
Class of Accuracy	0.5, 1 and 3
Thermal Nominal Continuous	1.2 times rated current continuously
Rated Current	2.55x Ith
Thermal Short Circuit Current	60xIn
Insulation Class	Class E
Max Operating Voltage	720V maximum
Insulation Test Voltage	3KV AC for 1 minute
Compliance Standard	VE404 and IEC185

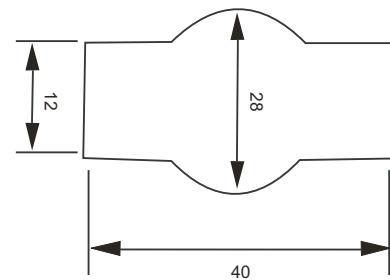
Environmental Specification

Operating Temperature	20°C to 70°C
Storage Temperature	0°to 55°C
Humidity	<95% RH

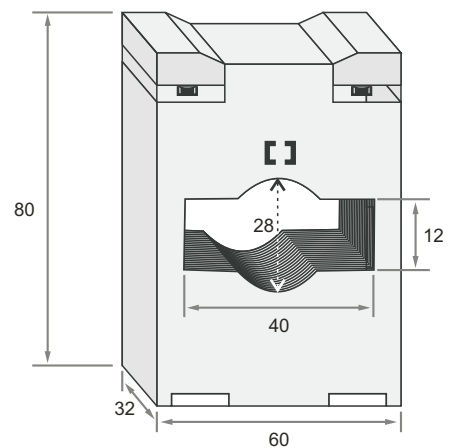
Ordering Information

Ordering Code	Ratio	Class	Burden (VA)
VIPS 401-150/5-3-2.5	150/5	3	2.5
VIPS 401-200/5-1-2.5	200/5	1	2.5
VIPS 401-250/5-1-2.5	250/5	1	2.5
VIPS 401-300/5-1-2.5	300/5	1	2.5
VIPS 401-400/5-1-5	400/5	1	5
VIPS 401-500/5-0.5-5	500/5	0.5	5
VIPS 401-600/5-0.5-5	600/5	0.5	5
VIPS 401-750/5-0.5-5	750/5	0.5	5
VIPS 401-800/5-0.5-5	800/5	0.5	5

Dimensions



Bus Bar Dimension (mm) : 12 x 40, Ø28



Outer Dimension : 60 x (W) x 80 (H) x 32 (D)